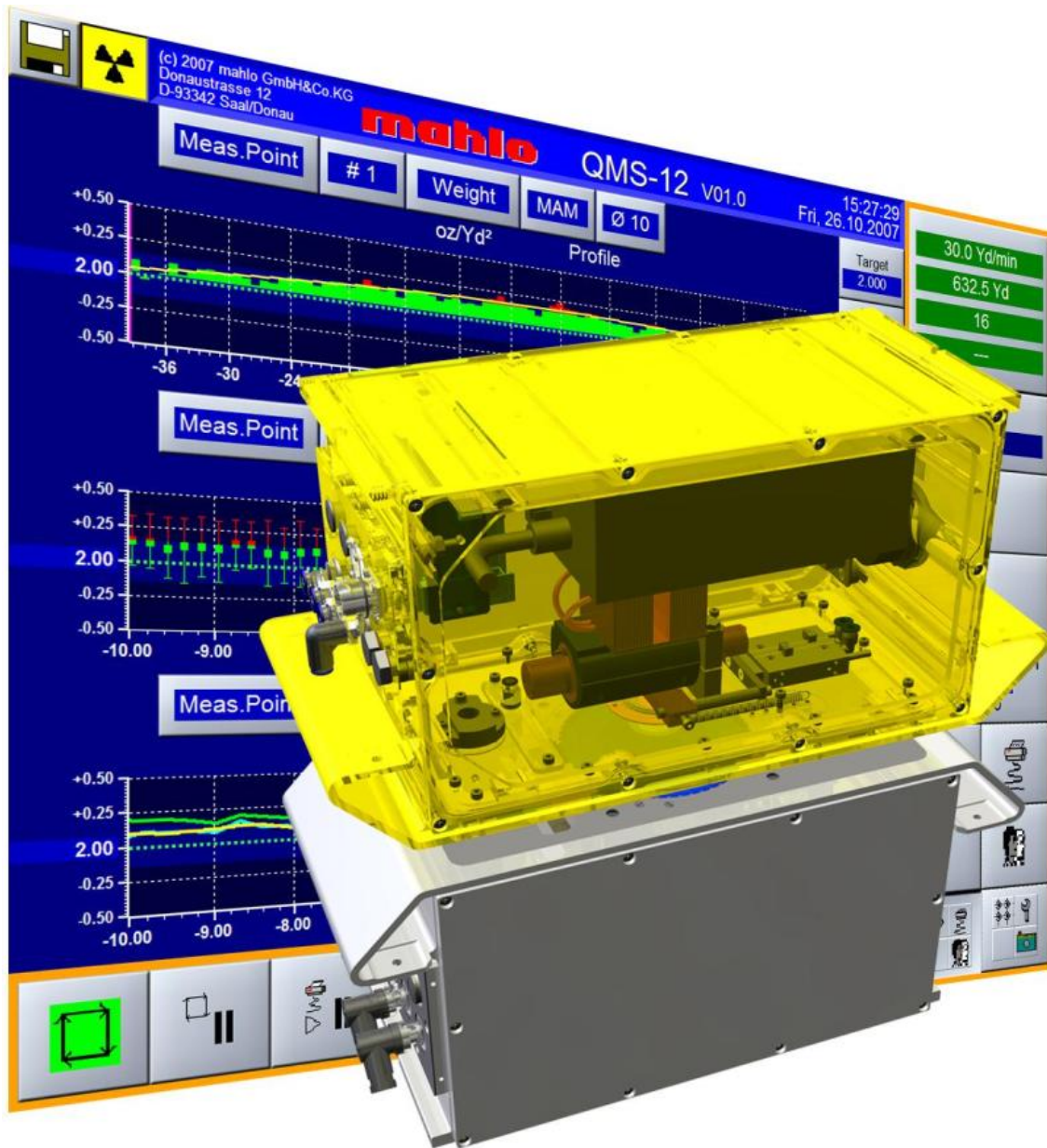


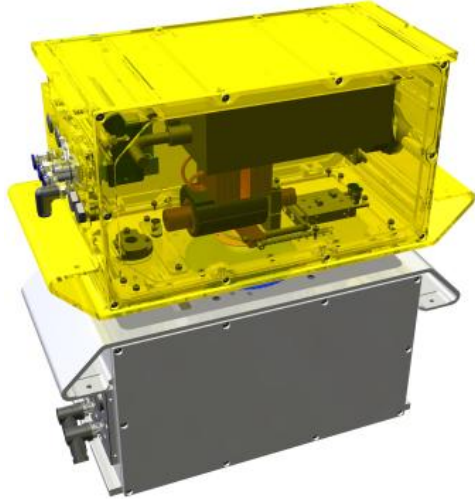
GRAVIMAT FMX-TW

Non-nuclear measurement
of basis weight / thickness



GRAVIMAT FMX-TW

Wide Gap X-Ray Sensor



Precise Measurement

The Mahlo FMX-TW measures the basis weight (or calculated thickness) of thick webs such as fiberglass, foams, sponge, nonwovens, and other webs with high resolution, accuracy and defect detection. Combining the FMX-TW with a DML Laser Caliper Sensor allows for the real-time display of web density!

Applications

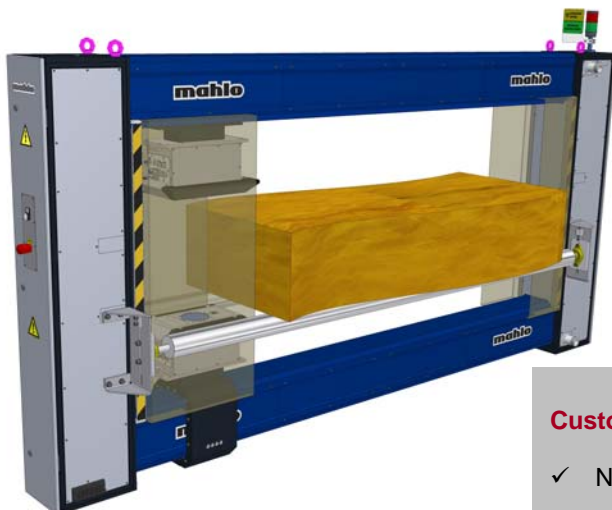
- Fiberglass Insulation Roll and Batt
- Cellulose Insulation
- Thick, Lofty Webs

Benefits

- Non-Nuclear: X-ray tube works without radioactive isotope emitter and can be turned off
- Can measure a large range of thickness
- Excellent CD resolution for accurate profile control
- Finely focused measurement spot for narrow Defect Detection
- Virtually no measurement noise
- Closed-Circuit liquid cooling standard

Product-Highlights

- ✓ Non-nuclear
- ✓ Contactless, non-destructive
- ✓ Intelligent sensor with fast onboard micro processing
- ✓ High resolution



The Mahlo FMX-TW can be traversed using Mahlo's precision, rugged WebPro-MH O-Frame Scanner and our full suite of Display and control features. Multiple sensors can be utilized simultaneously on a single scanner!

Customer Benefits

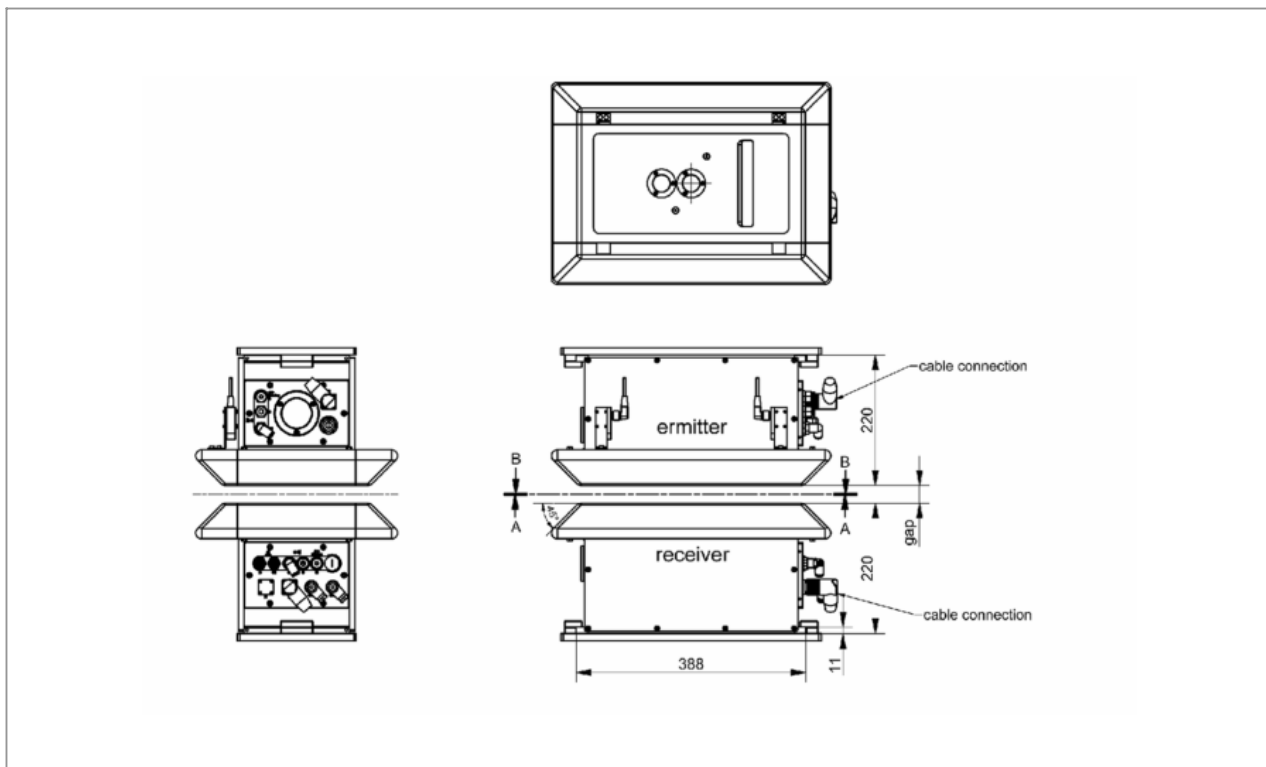
- ✓ Non-destructive, continuous measurement of basis weight / thickness
- ✓ High measuring accuracy
- ✓ Low maintenance and low cost of ownership

Specifications

| | | |
|-----------------------------------------|------------------------------------------------|------------------------------------------|
| Sensor | GRAVIMAT FMX-TW | |
| Measurement principle | X-Ray absorption | |
| Beam generator | X-Ray tube, 50kV Max | |
| Measurement Range (basis weight) | 100 g/m ² – 75,000 g/m ² | |
| Repeatability (2σ, 1s) (the greater) | ± 0.3 % or ± 1 g/m ² | |
| Measurement Gap | Up to 600 mm | |
| Power supply | 24 V DC | |
| Maximum current usage | Source max. 4 A (continuous: 2 A) | Detector max. 2 A (continuous: 0.3 A) |

Can be used in

- ✓ Qualiscan QMS





Measuring systems, control systems, automation:

MAHLO[®] ENSURES QUALITY. WHEREVER YOU ARE IN THE WORLD.

The best possible technical support and know-how transfer is highly emphasised at Mahlo®. Thanks to many international representatives and service stations, customers around the world are never far from expert assistance. 365 days a year, 24 hours a day – we're there for you. Get in touch with us!

- ✓ Over 40 service stations worldwide
- ✓ Direct service and spare parts delivery within 24h
- ✓ Remote diagnostics system
- ✓ Service Hotline: +49-180-5062456



**Overall Managing Director for Mahlo GmbH + Co. KG
and all subsidiaries:**

Rainer Mestermann, Dipl.-Ing. (FH)

Alois Böckmann, State-certified business economist

Mahlo GmbH & Co. KG Germany

Donaustr. 12, 93342 Saal/Donau

Contact: Rainer Mestermann

Tel.: +49-9441-601-0

Fax: +49-9441-601-102

info@mahlo.com

Mahlo Italia S.R.L. Italy

Via Fiume 62, 21020 Daverio

Contact: Michel Bruni

Tel.: +39-03-32-94-95-58

Fax: +39-03-32-94-85-86

mahlo.italia@mahlo.com

Mahlo America Inc. USA

P.O. Box 2825, Spartanburg, S.C. 29304

Contact: Alan Lavore

Tel.: +1-864-576-62-88

Fax: +1-864-576-00-09

info@mahloamerica.net

Mahlo España S.L. Spain

C/ Santa Margarida, s/n – Nave nº13

Poligono Industrial Riera de Caldes – Boada Vell

E08184 Palau Solità i Plegamans (Barcelona)

Contact: Jordi Grass

Tel.: +34-90-20062-30

Fax: +34-90-20062-40

mahlo.espana@mahlo.com

Mahlo Ouest S.P.R.L. Belgium

Quartum Center

Hütte 79 - Bte 10

4700 Eupen

Contact: Manfred Havenith

Tel.: +32-87-59-69-00

Fax: +32-87-59-69-09

mahlo.ouest@mahlo.com

Mahlo do Brasil Controle de Processos Ltda.

Brazil

R. Brigadeiro Faria Lima, 354A - Jd. Santana

Americana, SP CEP 13478-210

Contact: Jordi Grass

Tel.: +55-19-3407-7954

mahlo.brazil@mahlo.com

WWW.MAHLOAMERICA.COM



Quality made
in Germany