



WebPro XS

The traversing frames of the type WebPro XS are used for many applications in various industries and are distinguished especially by their rugged, reliable and compact design. Traversing frames of this type can be used for product widths from 0.2 to max. 2 meters and can accommodate one Mahlo® sensor.

The compatible design and use of precision linear slides permit installation even in restricted spaces. Possible applications range from lab coating via coating for textiles, paper, film up to systems for the manufacturing of artificial leather and extrusion coating.

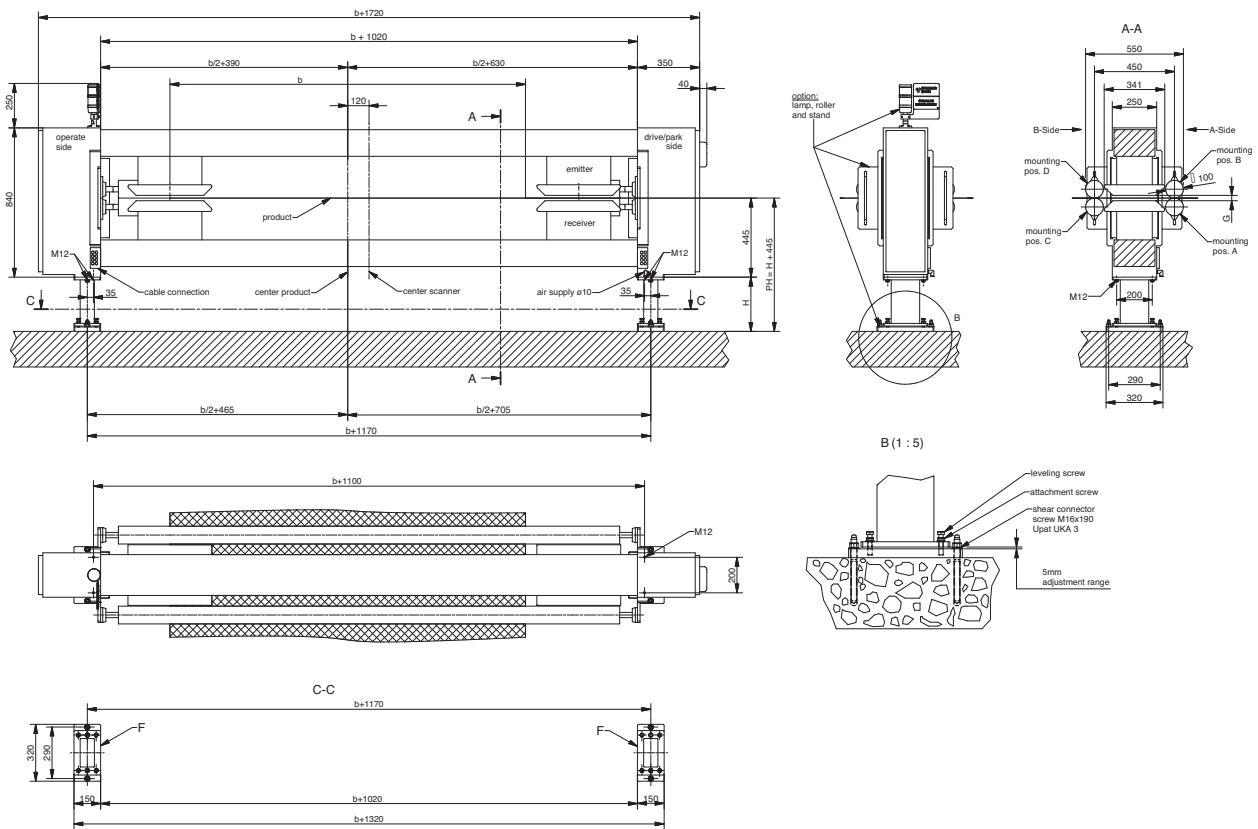
Product-highlights

- ✓ Intelligent scanning frame with integrated real-time computer
- ✓ Extremely rugged, mechanical construction assures trouble-free operation and long service life
- ✓ Maintenance-friendly design
- ✓ Available in several versions, tailored for the specific application
- ✓ Constructed with commonly available standard components to ensure optimum availability of replacement parts

TECHNICAL DATA | WEBPRO XS

Scanning frame	WebPro XS
Scanner width	Web width: 200 – 2000 mm
Scanning speed	20 – 200 mm/s
Sensor payload	One sensor
X-, Y-, Z-axis runnout	X (scan axis [CD]), $\pm 300 \mu$ ($\pm 0.3\text{mm}$) Y (machine axis [MD]), $\pm 300 \mu$ ($\pm 0.3\text{mm}$) Z (vertical axis), $\pm 200 \mu$ ($\pm 0.2\text{mm}$)
Scan location repeatability	$\pm 250 \mu$ ($\pm 0.25 \text{ mm}$)
Operating temperature (without cooling)	0 – 45 °C
Measuring devices cooling	All measuring devices are optionally equipped with cooling function and measuring gap purging with compressed air
Power	1 ~ 230/115 V AC, 50/60 Hz (through connection in base switching cabinet)
Max. power consumption	1 kVA
Interface	TCP/IP (Ethernet)

Dimensions



Measuring frame WEBPRO XS
91-015735



INNOVATIONS

We love being technological leaders. And our R&D team works every day to make sure it remains so. Innovations, inventive talent and future-oriented thinking – to guarantee your success.