

WebPro S

The WebPro S traversing frames have been designed specifically to provide an exceedingly compact but rugged and reliable traversing platform for situations where space limitations would rule out the use of a conventional O-frame. The main applications are for high-speed coating machines whose compact construction leaves very little space for installation of traditional scanning frames. These include ranges for producing adhesive tapes, label rolls, self-adhesive film, light-proof coated textile and nonwoven substrates. The WebPro S scanning frame is also to be found in the film industry.

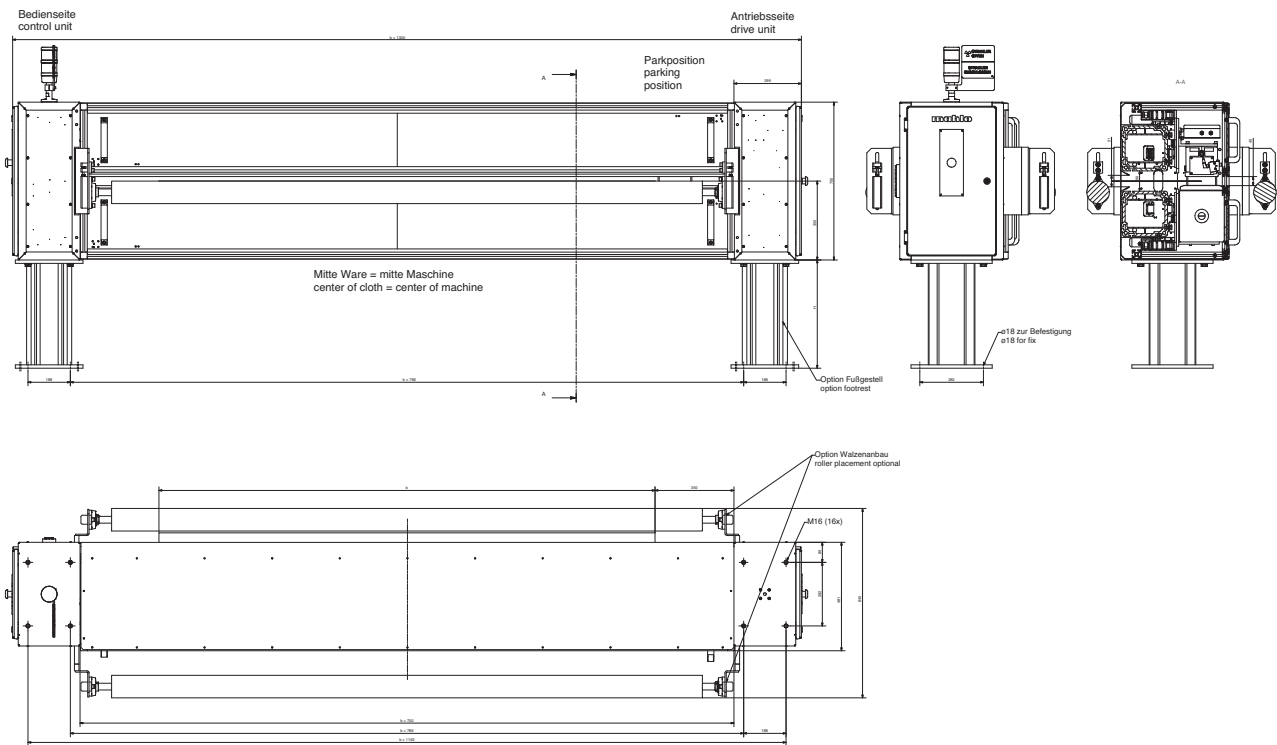
Customer benefits

- ✓ Easy to install and connect
- ✓ A minimum of upkeep and maintenance costs, along with high availability and long service life
- ✓ The ultra-precise carriage-guide mechanism guarantees really accurate measurements from the various sensors
- ✓ Accident-proof thanks to the continuous monitoring of motor current and integrated safety cutout

TECHNICAL DATA | WEBPRO S

Scanning frame	WebPro S
Scanner width	Web width: 600 – 3400 mm
Scanning speed	30 – 300 mm/s
Sensor payload	Two sensors, both upper and lower carriages
X-, Y-, Z-axis runnout	X (scan axis [CD]), ± 300 μ (± 0.3 mm) Y (machine axis [MD]), ± 100 μ (± 0.1 mm) Z (vertical axis), ± 100 μ (± 0.1 mm)
Scan location repeatability	± 250 μ (± 0.25 mm)
Operating temperature (without cooling)	0 – 45 °C
Cooling scanning frame	Air purging with cooled compressed air
Cooling sensors	Scanner is plumbed as standard for compressed air or liquid cooling (some components optional)
Intrinsic safety	1. Air purging to meet class 1, division 1 requirements U.S. National Electric Code (optional) 2. Purging & pressurization for explosion proof environments, according to ATEX zone 1 or zone 2, category 2
Power	230 V AC, 50 Hz or 115 V AC, 60 Hz (to be specified with order)
Interface	TCP/IP (Ethernet)

Dimensions



Measuring frame WEBPRO S
91-013104-02



AROUND THE CLOCK

We know every nut and bolt on our machines. Your replacement part will be on its way to you within 24 hours. We set everything in motion. Just so that you don't stand still.

Online-Support:
SERVICE@MAHLOAMERICA.NET

Support-Hotline:
+1-864-576-6288